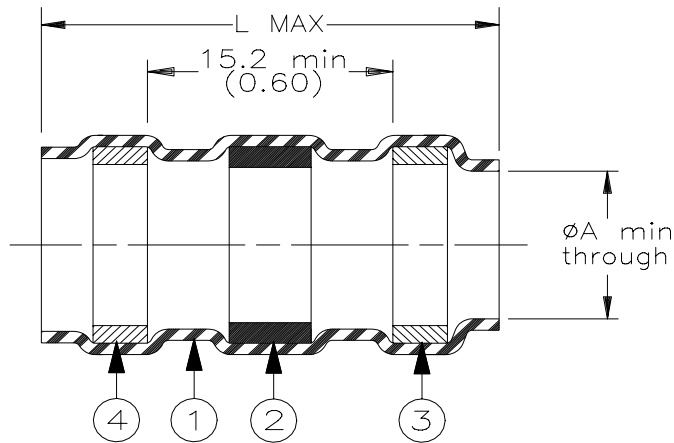


SPECIFICATION CONTROL DRAWING



| Product Revisions | | Product Dimensions | | Cable Dimensions | | |
|-------------------|---|--------------------|--------------|------------------|-------------|-------------|
| Product Name | | L max | A min | B max | C min | D min |
| CWT-3801 | D | 26 (1.025) | 1.7 (0.065) | 1.7 (0.065) | 0.9 (0.035) | 0.4 (0.015) |
| CWT-3802 | C | 26 (1.025) | 1.95 (0.075) | 1.95 (0.075) | 1.1 (0.045) | 0.6 (0.025) |
| CWT-3803 | B | 42.0 (1.655) | 2.7 (0.105) | 2.7 (0.105) | 1.8 (0.070) | 1.3 (0.050) |
| CWT-3805 | A | 42.0 (1.655) | 4.5 (0.180) | 4.5 (0.180) | 2.3 (0.090) | 1.8 (0.070) |
| CWT-3806 | B | 42.0 (1.655) | 6.0 (0.235) | 6.0 (0.235) | 3.3 (0.130) | 2.8 (0.110) |
| CWT-3807 | A | 42.0 (1.655) | 7.0 (0.275) | 7.0 (0.275) | 3.7 (0.145) | 3.2 (0.125) |
| CWT-3809 | C | 42.0 (1.655) | 8.7 (0.340) | 8.7 (0.340) | 4.2 (0.165) | 3.7 (0.145) |
| CWT-3810 | A | 42.0 (1.655) | 9.7 (0.382) | 9.7 (0.382) | 6.8 (0.268) | 6.0 (0.236) |
| CWT-3811 | C | 42.0 (1.655) | 10.7 (0.420) | 10.7 (0.420) | 7.1 (0.280) | 6.6 (0.260) |
| CWT-3813 | B | 42.0 (1.655) | 13.0 (0.510) | 13.0 (0.510) | 8.9 (0.350) | 8.4 (0.330) |

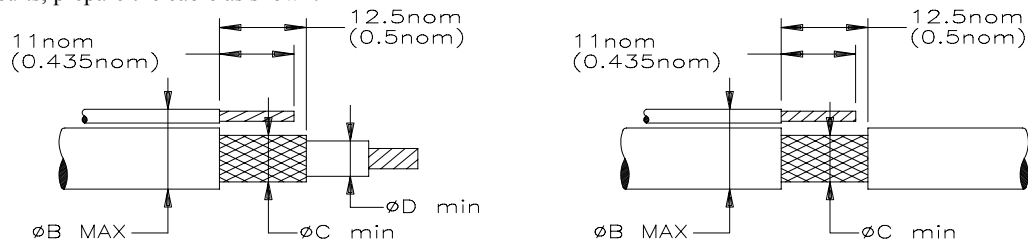
MATERIAL

- INSULATION SLEEVE: Heat-shrinkable, radiation cross-linked modified polyolefin. Transparent clear.
- SOLDER PREFORM WITH FLUX:
SOLDER: TYPE CD18 per ANSI J-STD-006.
FLUX: TYPE ROM1 per ANSI J-STD-004.
- MELTABLE RING: Thermally stabilized thermoplastic. Color: clear.
- MELTABLE RING: Thermally stabilized thermoplastic. Color: blue.

APPLICATION

- These controlled soldering devices are designed for termination of a bare or tin plated copper shield on a cable, having an insulation rated for at least +85°C minimum.
- Temperature range: -55°C to +125°C.
- For installation procedure and application equipment consult RPIP-824-00 or H54286.

For best results, prepare the cable as shown:



| | | | | | | | |
|--|--|--|--|--|--|--|--|
| tyco Electronics | | Tyco Electronics Corporation 300 Constitutional Drive Menlo Park, CA 94025 USA | | Raychem | | TITLE: SOLDERSLEEVE ONE STEP SHIELD TERMINATOR | |
| UNLESS OTHERWISE SPECIFIED DIMENSIONS ARE IN MILLIMETERS. INCHES DIMENSIONS ARE BETWEEN BRACKETS. | | | | DOCUMENT NO.: CWT-38XX | | | |
| TOLERANCES: 0.00 N/A 0.0 N/A 0 N/A | | ANGLES: N/A | | Tyco reserves the right to amend this drawing at any time. Users should evaluate the suitability of the product for their application. | | DATE: 27-Nov.-00 | |
| DRAWN BY: M. FORONDA | | CAGE CODE: 06090 | | REPLACES: D981198 | | DCR NUMBER: D000675 | |
| | | | | PROD. REV.: SEE TABLE | | SCALE: None | |
| | | | | SIZE: A | | SHEET: 1 of 1 | |

If this document is printed it becomes uncontrolled. Check for the latest revision.